

MyCube

Single lever basin mixer M with pop-up waste set

Surfaces: **Chrome** Article Number: **71010000**



Description

product features

- consists of: single lever basin mixer, waste set
- ComfortZone 70
- projection 107 mm
- normal spray
- flow rate at 3 bar: 5 l/min
- ceramic cartridge
- temperature limitation adjustable
- suitable for continuous flow water heaters
- pop-up waste set G 1
- material waste set: synthetic
- connection type: G 3/8 connections
- connection dimension: DN15
- ETA VA1.42/20391
- ACS 17 ACC LY 655, valide jusqu'au 20.06.2022

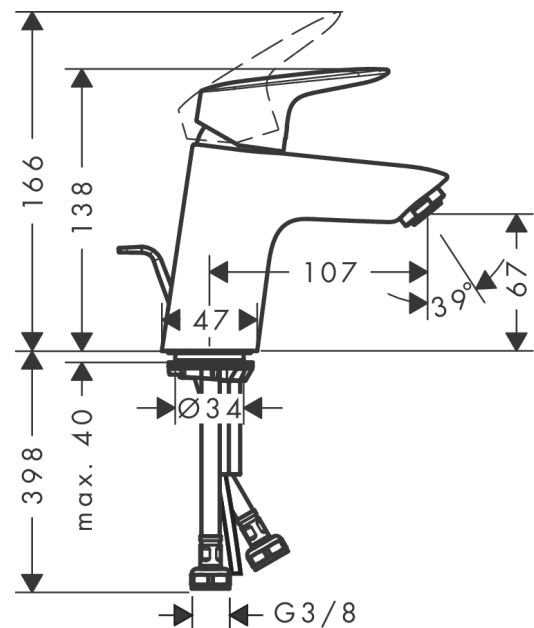
Technology



Product image



Scale drawing



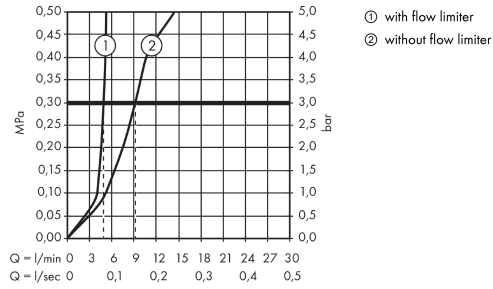
MyCube

Single lever basin mixer M with pop-up waste set

Surfaces: **Chrome** Article Number: **71010000**



Flowchart

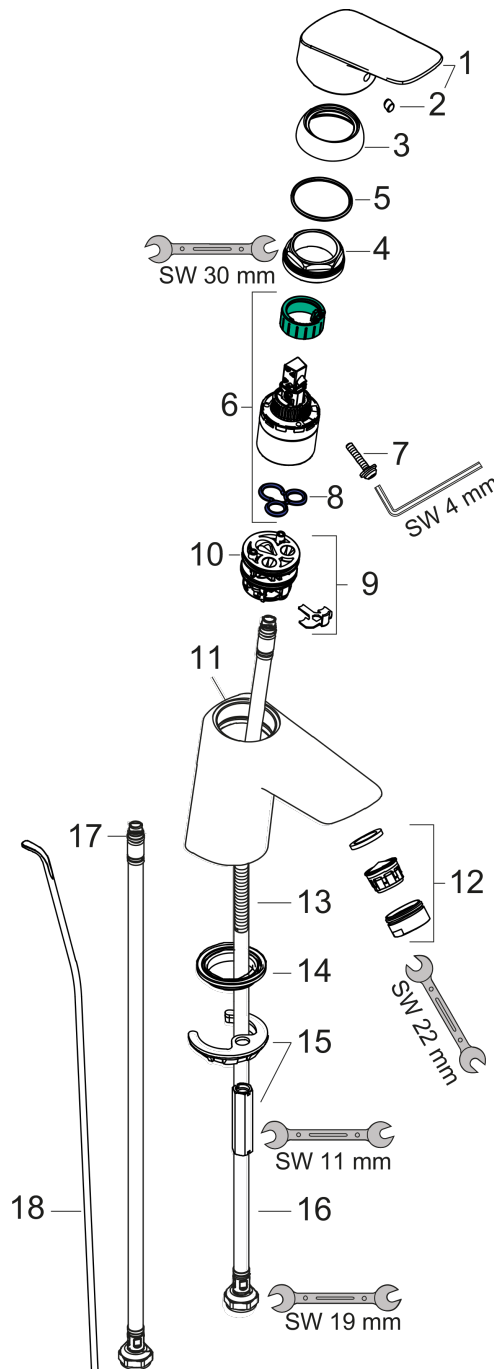


MyCube
Single lever basin mixer M with pop-up waste set
 Surfaces: **Chrome** Article Number: **71010000**



Exploded Drawing

Year of production: >04/17



MyCube**Single lever basin mixer M with pop-up waste set**Surfaces: **Chrome** Article Number: **71010000****Spare part list**

Year of production: >04/17

Pos.	Description	Article Number	PC	PU
1	handle	92224000	10	1
2	screw cover	96338000	1	1
3	flange	97406000	6	1
4	nut	97209000	5	1
5	O-Ring 32x2	98193000	1	1
6	cartridge, assy	92730000	11	1
7	locking screw for handle	95140000	2	1
8	seal	95008000	3	1
9	adapter for cartridge	98750000	4	1
10	O-Ring 30x2	98186000	1	1
11	O-ring 35x2	92604000	2	1
12	aerator M24x1 (5 l/min)	92372000	6	1
13	screw M8 x 68	97736000	2	1
14	seal Ø 42	98722000	2	1
15	fixing set	96016000	8	1
16	connection hose 450 mm M8x0,75 G3/8	97206000	8	1
17	O-ring 6,6x1,6	93019000	1	1
18	pull rod	96657000	4	1
a	pop up waste	92168000	9	1